

# Netopia VoIP ATA Quickstart Guide

## VoIP ATA Package Contents Checklist

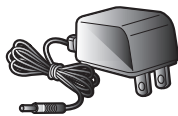
For any missing items, please contact your dealer immediately.



Netopia VoIP ATA



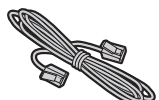
CD & Quickstart Guide



Power Supply



Gray RJ-11 Telephone Cable



Gray RJ-45 Ethernet Cable

### IMPORTANT SAFETY INSTRUCTIONS – POWER SUPPLY INSTALLATION

Connect the power supply cord to the power jack on the Netopia ATA. Plug the power supply into an appropriate electrical outlet.

#### CAUTION:

Depending on the power supply provided with the product, either the direct plug-in power supply blades, power supply cord plug or the appliance coupler serves as the main power disconnect. It is important that the direct plug-in power supply, socket-outlet or appliance coupler be located so it is readily accessible.

**(Sweden)** Apparaten skall anslutas till jordat uttag när den ansluts till ett nätverk

**(Norway)** Apparatet må kun tilkoples jordet stikkontakt.

### TELECOMMUNICATION INSTALLATION

When using your telephone equipment, basic safety precautions should always be followed to reduce the risk of fire, electric shock and injury to persons, including the following:

- Do not use this product near water, for example, near a bathtub, wash bowl, kitchen sink or laundry tub, in a wet basement or near a swimming pool.
- Avoid using a telephone (other than a cordless type) during an electrical storm. There may be a remote risk of electrical shock from lightning.
- Do not use the telephone to report a gas leak in the vicinity of the leak.

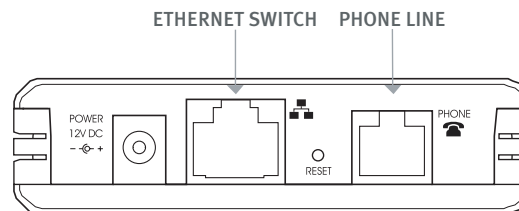
**SAVE THESE INSTRUCTIONS**

### Top View:



LED	STATUS	DESCRIPTIONS
POWER	On	The VoIP ATA is receiving power.
ETHERNET	On	The VoIP ATA has an Ethernet connection with a cable or DSL modem or network.
	Blinking	The VoIP ATA is sending/receiving data to/from the cable/DSL modem or network.
PHONE	On	This port is registered to the Internet Phone Service Provider.
	Blinking	The telephone(s) connected to this(these) port(s) is(are) off-hook.
PHONE	Off	This port is not registered to an Internet Phone Service Provider.

### Rear Panel:

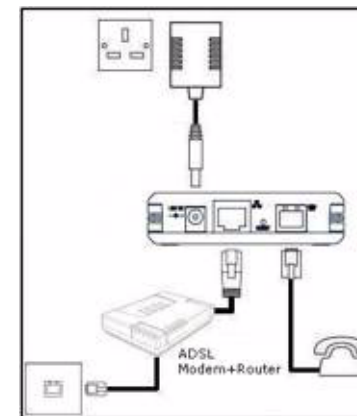


DESCRIPTIONS	
POWER	This is where the included power adapter is connected.
MODEM	This port allows connection of the VoIP ATA to a router, gateway or network using a Category 5 (or better) Ethernet network cable (RJ-45).

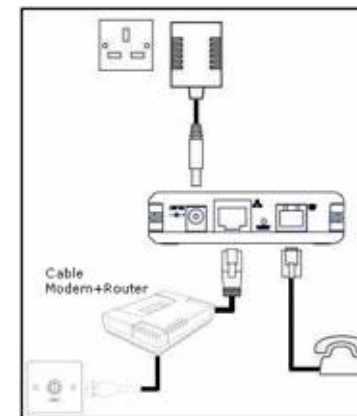
RESET	Press and hold the RESET button for 2 to 4 seconds to restore the VoIP ATA's WAN Static IP to 192.168.1.200 while keeping all the other settings intact.
	Press and hold the RESET button for more than 5 seconds to restore the VoIP ATA to default factory settings.
PHONE	The PHONE port allows you to connect your telephone to the VoIP ATA using an RJ-11 telephone cable.

## Typical VoIP ATA Connection

ADSL Connection Diagram

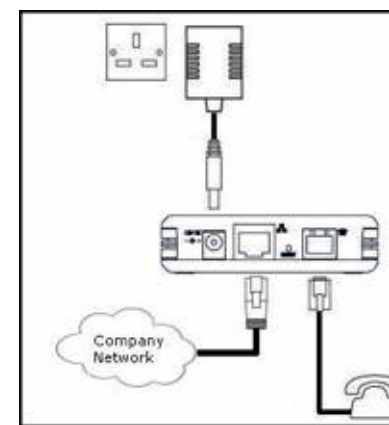


Cable Connection Diagram



For a Company Network Connection

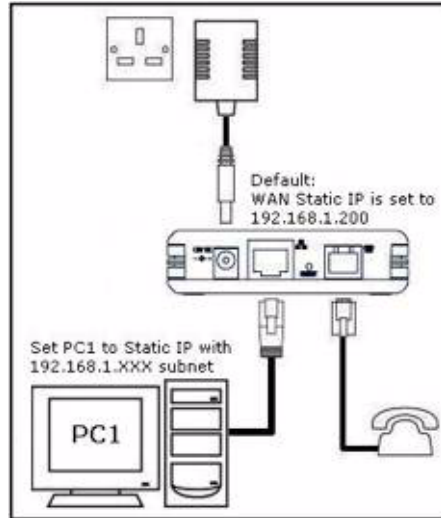
UDP port 5060 for SIP Signaling and UDP ports 5000-5020 for RTP must be open.



## Setting Up Your Computer

### Accessing the Web UI Using Static IP

These instructions are for Windows 98/ME/2000 and XP operating systems.



**1. In Windows XP, click Start → Control Panel.**

In Windows 98/ME/2000, click Start → Settings → Control Panel.

**2. In Windows XP, click Network Connections.**

In Windows 98/ME/2000, click Network and Dial-up Connections.

**3. Right-click Local Area Connection and then click Properties.**

**4. Select Internet Protocol (TCP/IP) (under the General tab in Windows XP) and click Properties.**

**5. Select Use the following IP address and enter information as below:**

IP address : 192.168.1.XXX (IP Address set must be unique)

Subnet mask : 255.255.255.0

Default gateway : -Blank-

**6. Click OK to close the Internet Protocol (TCP/IP) Properties window.**

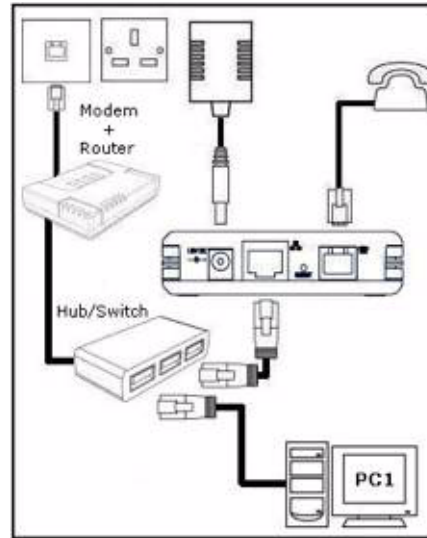
**7. Click Close (OK in Window 98/ME/2000) to close the Local Area Connection Properties window.**

**8. Close the Network Connections screen.**

**9. Launch a web browser and enter “192.168.1.200” at the address bar and press Enter.**

**10. Log in using User name “admin” and the default Password “epicrouter”**

### Accessing the Web UI Using a Hub or Switch



If the Router's LAN is already in the 192.168.1.XXX subnet, launch a web browser and enter “192.168.1.200” (VoIP ATA's Static IP) at the address bar and press Enter.

If the Router's LAN is using a subnet other than 192.168.1.XXX:

**1. Access the VoIP ATA's Web UI using Static IP as described above and set the VoIP ATA as a DHCP client.**

**2. Access the Router's Web UI.**

**3. Determine what IP Address has been assigned to the VoIP ATA.**

**4. Launch a web browser and enter the assigned IP Address at the address bar and press Enter.**

**5. Log in using the User name “admin” and the default Password “epicrouter”**

## VoIP ATA Setup via the Web UI

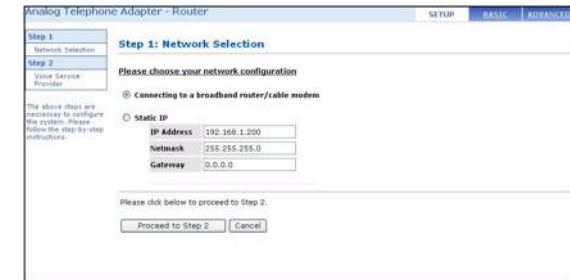
An account from a SIP service provider is required to make VoIP calls with the ATA.

Initial Configuration

**1. Upon successfully logging in, the Setup mode screen, shown below, appears.**



**2. Click on “Step 1: Network Selection” to start configuring the VoIP ATA.**



**3. Depending on your System Setup (see the User's Guide on the accompanying CD for details), select Connecting to a broadband router/cable modem and click “Proceed to Step 2”.**

**4. Fill in the fields with information exactly as provided by the Service Provider or network administrator.**



**5. Click Finish to save your configuration and reboot the VoIP ATA.**

**6. Wait approximately 30 seconds for the process to complete. A “Saving Configuration” message is displayed during this process.**

## Making Phone Calls

- PSTN Calls  
To call regular phone numbers, use your Service Provider's dialing plan.
- Internet Calls  
To make a VoIP call, dial the SIP number on your phone's dial pad.

**Netopia Part Number:** 6180166-00-01

Copyright 2006, Netopia, Inc. Netopia and the Netopia logo are registered trademarks belonging to Netopia, Inc., registered U.S. Patent and Trademark Office. Broadband Without Boundaries is a trademark belonging to Netopia, Inc. All other trademarks are the property of their respective owners. All rights reserved.